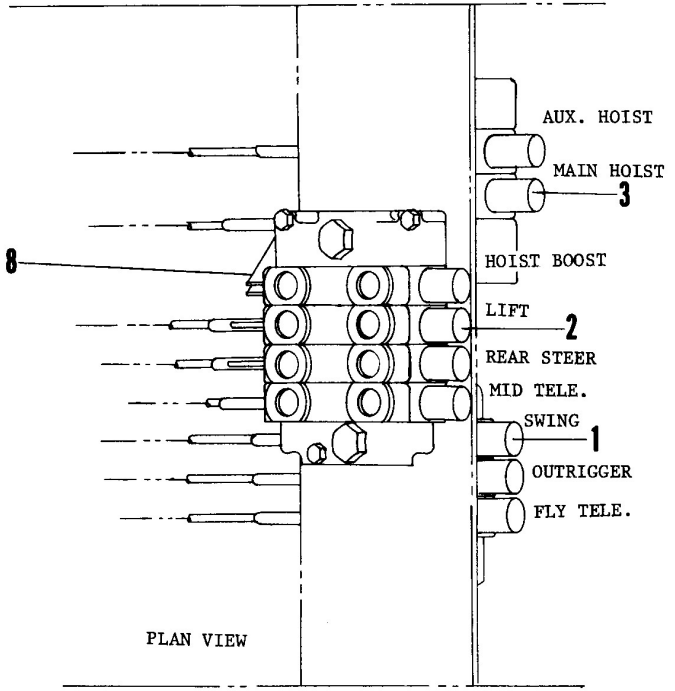
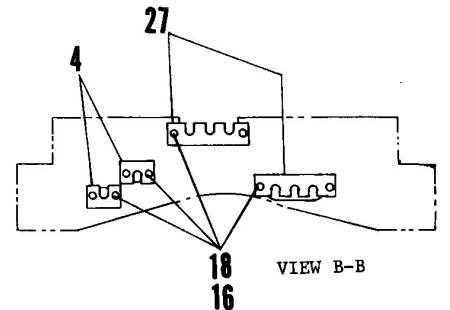
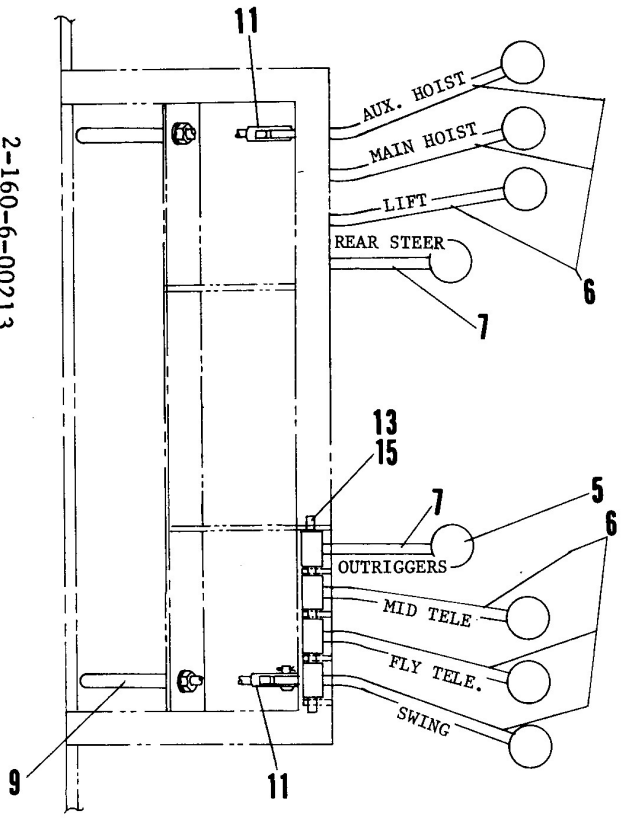
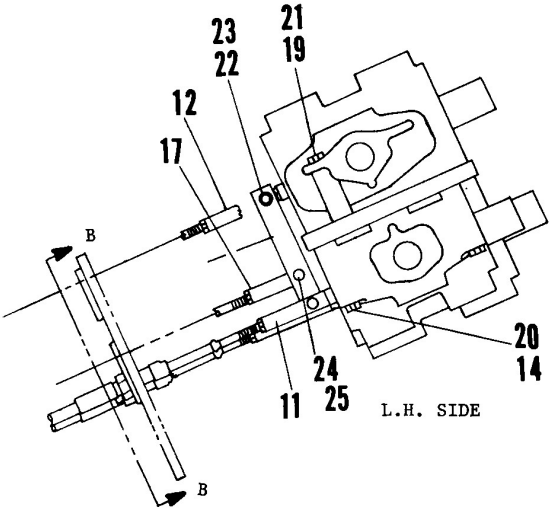


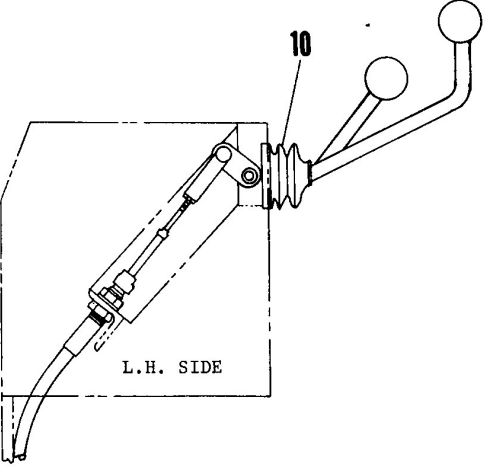
Manitowoc Crane Group



ITEM NOT SHOWN - #26



2-160-6-00213



2160600213

(SHEET 1 OF 1)

36XXe 84